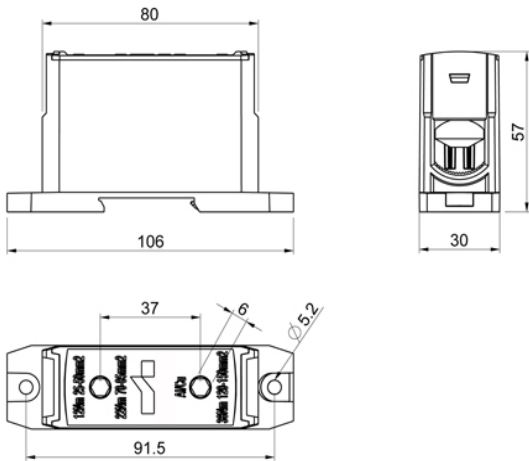


## Enclosed Power Terminals AL/CU

Product: GKL1x150



- IEC 61238-1 Class A
- Available in grey, blue (N) and yellow/green (PE)
- Touchproof, IP20
- Housing and cover in polyamide
- Terminal material tin-coated, greased aluminium
- Environmentally friendly materials



Product	GKL1x150
Al mm <sup>2</sup>	25 - 150
Color	Grey, Blue, Green/Yellow
Cu mm <sup>2</sup>	25 - 150
In (Al) (A)	250
In (Cu) (A)	320
Mounting	Screw / DIN
Number of Conductors	2
Torque Al/Cu (Nm)	12Nm (25 - 50 mm <sup>2</sup> ) 22Nm (70 - 95 mm <sup>2</sup> ) 38Nm (120 - 150 mm <sup>2</sup> )
Un (V)	1000
Weight (lb/kg)	0.399 / 0.181



Dokument/document Försäkran om överensstämmelse/ Declaration of conformity		Utgåva datum/edition date 2018-08-22
Avdelning/department Produkt/Product		
Ansvarig/prepared Robert Nydén	Version 5	Sida/page 1 av/of 1

**Manufacturer/Tillverkare:** GARO AB  
Box 203  
S-335 25 GNOSJÖ  
Sweden

Telephone: +46 (0)370 33 28 00  
Internet: www.garo.se

**Agent established within EC/Ombud etablerad inom EG** Telephone:  
Internet:

**Agent of equipment/Materielslag:** Screw terminal/Skruvplint

**Trade Mark/Varumärke:** GARO

**Type Designation/Typbeteckning:** NJP, PE 7G, NP7 and/och GKL

**We hereby declare that our product fulfils the requirements of following EC directives/  
Vi intygar härmed att vår produkt uppfyller krav enligt följande EU direktiv:**

- The Low Voltage Directive (LVD) 2014/35/EU / Lågspänningsdirektivet (LVD) 2014/35/EU.**
- Electromagnetic compatibility (EMC) 2014/30/EU / Elektromagnetisk kompatibilitet (EMC) 2014/30/EU.**
- Radio Equipment Directive 2014/53/EU (RED) 2014/30/EU / Radiodirektivet (RED) 2014/53/EU.**
- RoHS Directive (RoHS) 2011/65/EU / RoHS direktivet (RoHS) 2011/65/EU.**
- No electromagnetic compatibility (EMC 2014/30/EU) immunity or emission tests are required on the assembly / Produkten innehåller inte elektroniska apparater som påverkas enligt förbehållen enligt direktivet (EMC) 2014/30/EU.**

**The following harmonised standards (latest edition) or technical specifications which comply with good engineering practice in safety matters in force within the EC have been used in the design:/  
Följande harmoniserade standarder (senaste utgåva) eller tekniska specifikationer som uppfyller god säkerhetsteknik praxis inom EG har använts i konstruktionen: EN 60998-1, EN 60998-2-1 and/och EN 60998-2-2**

- The equipment confirms completely with the above stated harmonised standards or technical specifications./  
Materielen överensstämmer helt med ovan angivna harmoniserade standarder eller tekniska specifikationer.**

**Or/eller**

- The equipment confirms only partially with the above stated harmonised standards or technical specifications but complies with good practice in safety matters in force within the EC./  
Materielen överensstämmer endast delvis med ovan angivna harmoniserade standarder eller tekniska specifikationer, men uppfyller god säkerhetsteknisk praxis inom EG.**

**We have product surveillance according to CENELEC's harmonised requirements, documents CCA-201.**

GARO AB  
**Company/Företag**

2018-08-22  
**Date/Datum**

  
**Sign/Underskrift**

Product Manager/Produktchef  
**Position/Befattning**

Robert Nydén  
**Sign in printed letters/Namnförtydligande**